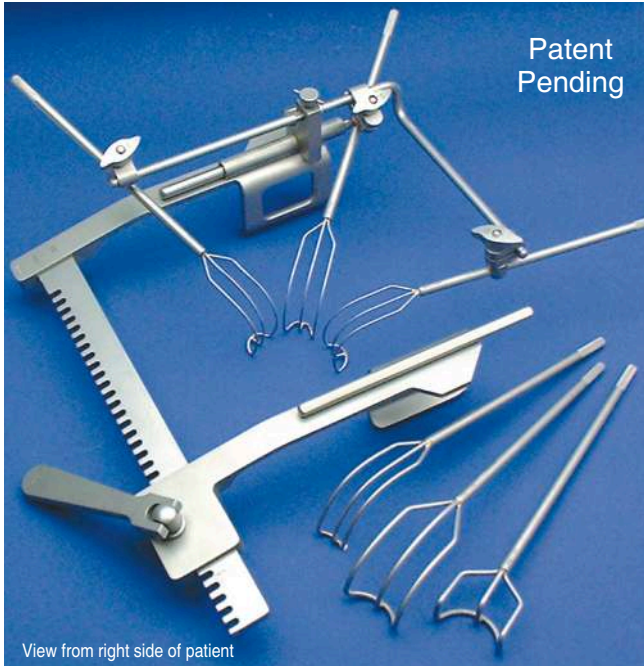


McCarthy Full-Sternotomy Retractor

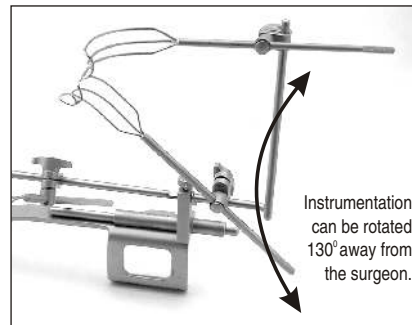
INDICATIONS FOR USE:

Patrick McCarthy, MD, Chief of Cardiac Services, Northwestern Memorial Hospital in Chicago, Illinois, designed the McCarthy Full-Sternotomy Retractor in conjunction with Kapp Surgical Instrument, Inc. This self-retaining retractor was designed to provide excellent exposure for a variety of valve operations, Maze procedure, or other intracardiac procedures. It can also be used for full sternotomy or coronary artery bypass operations or for mini-sternotomy procedures.



McCarthy Full-Sternotomy Retractor (Complete set)
Cat.# KS-7300

View from right side of patient



Instrumentation can be rotated 130° away from the surgeon.

McCarthy Full-Sternotomy Retractor

Features & Benefits

- Designed specifically for valve surgery
- Provides exceptional right and left atrium and mitral valve exposure
- Provides greater operative field visualization
- Loosen one screw on the main bracket and the entire transverse bar, including the wire baskets, can be rotated away from the surgeon and surgical site
- Readily detachable self retaining atrial retractor requiring placement only during the intracardiac portion of the procedure
- Universally adjustable atrial retractor blades
- Multiple retractor blades available
- Complete set is provided mounted on a Large Finochietto Chest Spreader
- Can be custom mounted on any Chest Spreader



Finochietto Large Chest Spreader
Cat.# KS-7301

Split Universal Clamp
Cat.# KS-8515

Universal Clamp
Cat.# KS-7105

McCarthy Full-Sternotomy Main Bracket
Cat.# KS-7302

Straight Transverse Bar
Cat.# KS-7303

Right Angle Transverse Bar
Cat.# KS-7304

Small Wire Basket Retractor (Malleable)
Cat.# KS-7305

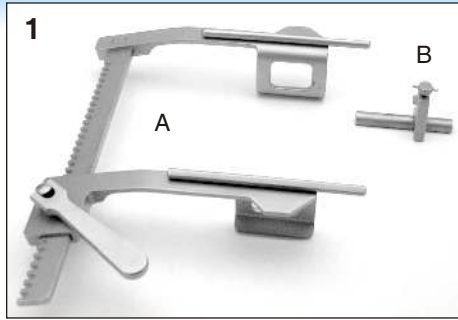
Small Wire Basket Retractor (Rigid)
Cat.# KS-7103

Tricuspid Wire Basket Retractor
Cat.# KS-7101

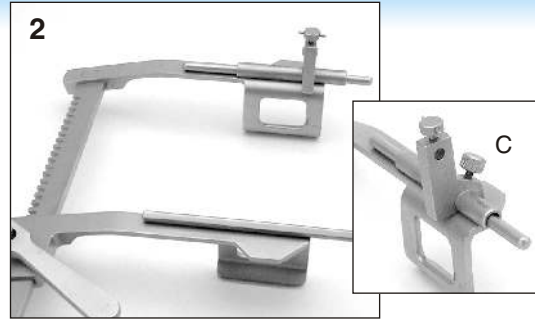
Large Wire Basket Retractor (Rigid)
Cat.# KS-7102

McCarthy Full-Sternotomy Retractor

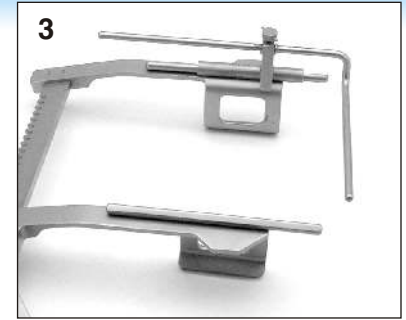
ASSEMBLY INSTRUCTIONS



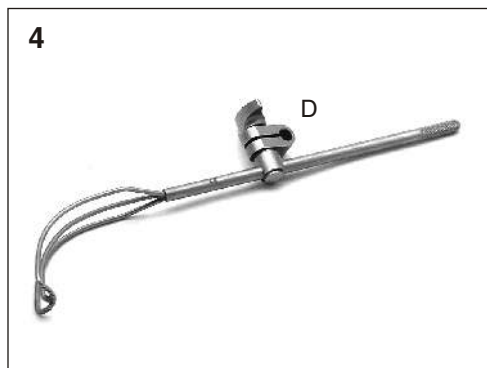
Position your chest spreader (A) as shown above. Slide the Main Bracket (B) onto the chest spreader moving right to left.



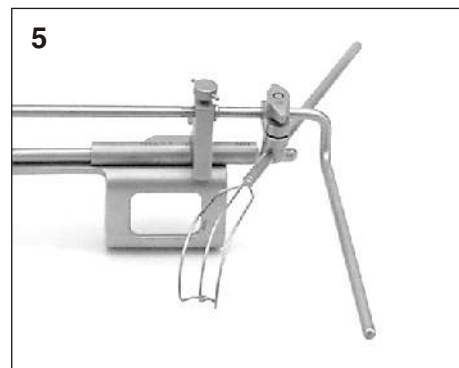
Main Bracket (B) mounted on the chest spreader. Main Bracket must have screw (C) facing outside of chest cavity.



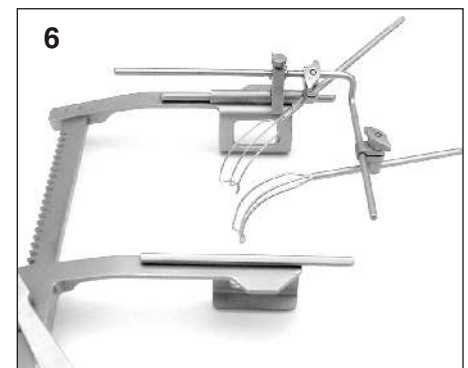
Insert Right Angle Transverse Bar into the Main Bracket and secure with locking screw.



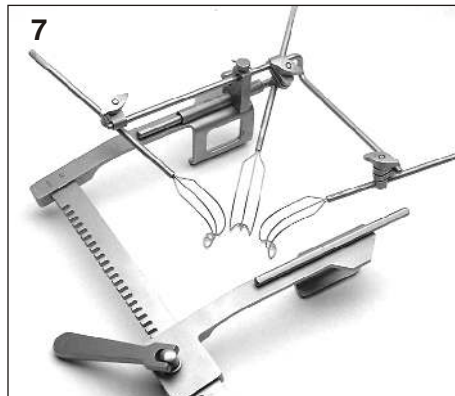
Insert Retractor Blade in bottom hole of Split Universal Clamp or Universal Clamp (D) as shown above.



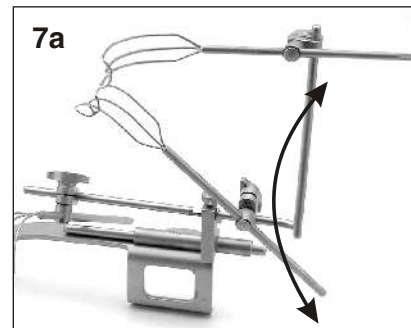
Attach Split Universal Clamp with Retractor Blade between stop washer and bend on Right Angle Transverse Bar.



Slide the Retractor Blades & Universal Clamps onto the open ends of the Right Angle Transverse Bar. Secure by tightening the wing nuts.



Assembled McCarthy Full-Sternotomy Retractor with Right Angle Transverse Bar locked in operating position and 3 Retractor Blades mounted.



NOTE: The Right Angle Transverse Bar can be rotated & locked in an upward position 130° away from the operating position.

Caution:
Nuts and screws are non-removable.

MAINTENANCE INSTRUCTIONS:

All Kapp Surgical stainless steel instruments should be submerged entirely in instrument milk after every autoclave for approximately 5 minutes. Kapp Surgical, the original manufacturer, recommends an annual refurbishing of the McCarthy Full-Sternotomy Retractor. Call 800-282-KAPP for service.



**KAPP SURGICAL
INSTRUMENT, INC.**

4919 Warrensville Center Rd. • Cleveland, Ohio 44128
800-282-KAPP • Phone: 216-587-4400 • Fax: 216-587-0411
www.kappsurgical.com • Email: info@kappsurgical.com